

HE8XIN



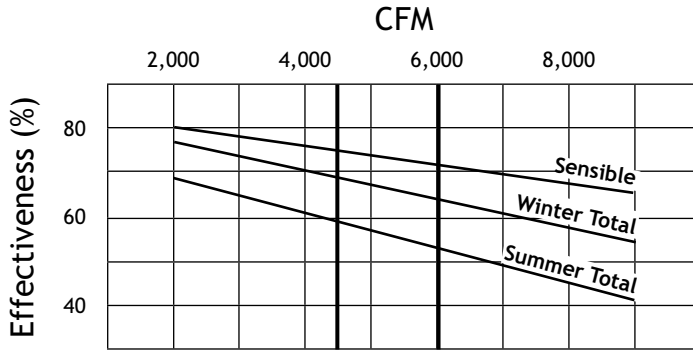
Indoor Unit



Specifications

Ventilation Type: Static Plate, Heat and Humidity Transfer						
Typical Airflow Range: 2,000-8,000 CFM						
AHRI 1060 Certified Core: Eight L125-00						
Airflow Rating Points (for AHRI): 6,000 CFM and 4,500 CFM						
Number Motors: Two						
HP	Volts	HZ	Phase	FLA	Min. Cir. Amps	Max. Fuse Size
5	208-230	60	Three	14.2-13.0	32.6	45
	460	60	Three	6.5	14.9	20
	575	60	Three	5.0	11.3	15
7.5	208-230	60	Three	20.9-19.2	47.0	70
	460	60	Three	9.6	21.6	30
	575	60	Three	7.6	17.1	25
10	208-230	60	Three	29.0-26.8	65.3	90
	460	60	Three	13.4	30.2	45
	575	60	Three	10.0	22.5	35
Control Voltage: 24 VAC						
Filters: Sixteen total, MERV 8, 2" pleated, 20" x 20" nominal size						
Weight: 2,525 lbs (unit), 2,825 lbs (shipping weight)						
Shipping Dimensions: 85" W x 114" L x 85" H						

G5 Performance



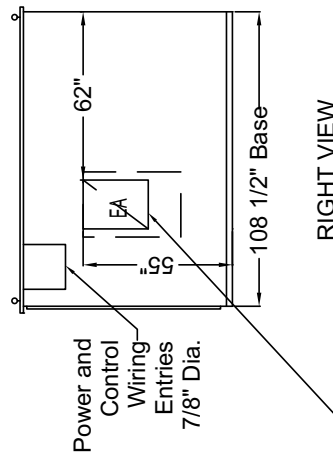
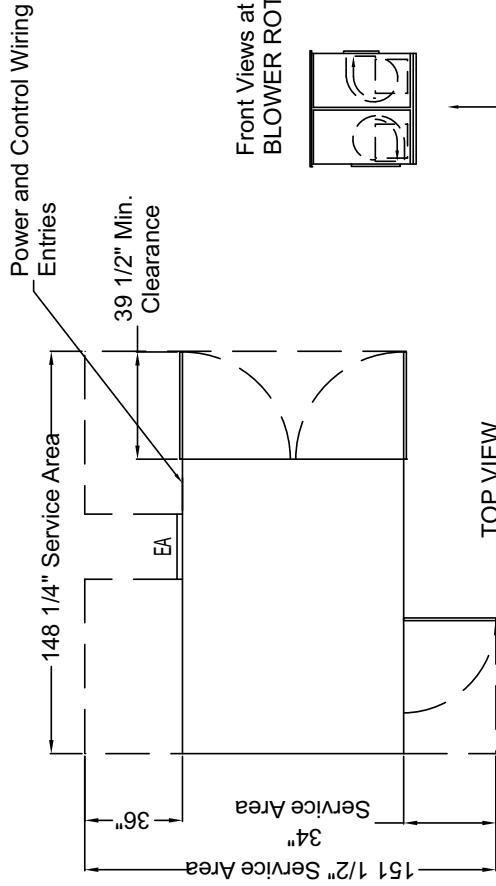
*At AHRI 1060 standard conditions
(See certified data on page 67 for core components.)

Airflow Performance

Motor HP	Blower RPM Nominal	Turns Open	External Static Pressure (Inches Water Column)													
			0.0		0.25		0.5		0.75		1.0		1.25		1.5	
			CFM	BHP	CFM	BHP	CFM	BHP	CFM	BHP	CFM	BHP	CFM	BHP	CFM	BHP
5	1,460	4.5	5,575	3.2	5,425	3.2	5,200	3.2	5,000	3.2	4,775	3.1	4,550	3.0	4,270	2.9
	1,610	2	6,200	4.3	6,010	4.3	5,875	4.2	5,700	4.2	5,500	4.2	5,325	4.1	5,125	4.1
	1,725	0.5	6,550	5.0	6,380	5.0	6,210	5.0	6,100	5.0	5,880	4.9	5,730	4.8	5,510	4.8
7.5	1,560	4.5	6,000	3.9	5,850	3.9	5,650	3.8	5,475	3.8	5,275	3.8	5,100	3.7	4,875	3.7
	1,740	2	6,700	5.3	6,575	5.3	6,400	5.3	6,300	5.3	6,125	5.3	5,950	5.2	5,750	5.2
	1,865	0	-	-	-	-	-	-	6,800	7.5	6,675	7.5	6,500	7.5	6,375	7.4
10	1,810	4.5	7,000	6.1	6,875	6.1	6,750	6.1	6,600	6.0	6,425	6.0	6,275	6.0	6,100	5.9
	2,020	2	7,850	8.5	7,745	8.5	7,625	8.5	7,450	8.4	7,350	8.4	7,200	8.3	7,050	8.3
	2,105	1	-	-	-	-	7,950	9.6	7,800	9.6	7,725	9.6	7,600	9.5	7,450	9.5

HESXIN UNIT DIMENSIONS

EA: Exhaust Air to outdoors
 OA: Outdoor Air Intake
 RA: Room Air to be exhausted
 FA: Fresh Air to inside



Front Views at 0.5X:
 BLOWER ROTATION

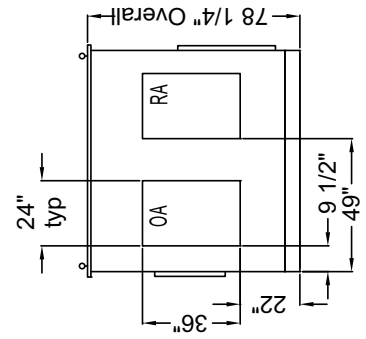


RIGHT VIEW

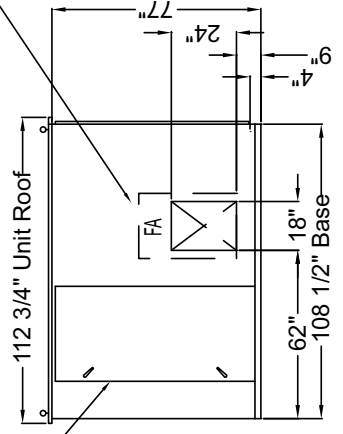
TOP VIEW

FA BLOWER Outlet is 18" x 24".
 24" x 36" Duct Flange is also supplied.
 Field install only in location shown.

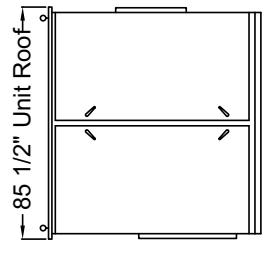
INDOOR UNITS: EA BLOWER Outlet is 18" x 24".
 24" x 36" Duct Flange is also supplied. Field install only in location shown.



BACK VIEW



LEFT VIEW



FRONT VIEW