

HE6XRT



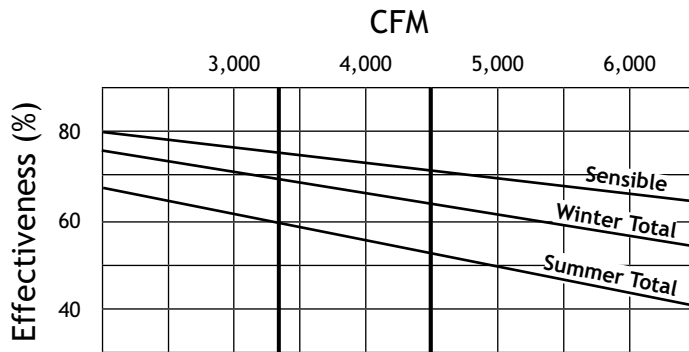
Outdoor Unit



Specifications

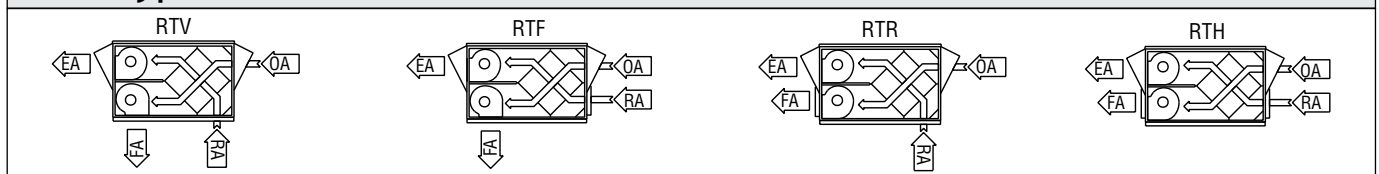
Ventilation Type: Static Plate, Heat and Humidity Transfer						
Typical Airflow Range: 1,500-6,500 CFM						
AHRI 1060 Certified Core: Six L125-00						
Airflow Rating Points (for AHRI): 4,500 CFM and 3,375 CFM						
Number Motors: Two belt drive blower/motor packages with adjustable sheaves						
HP	Volts	HZ	Phase	FLA (per motor)	Min. Cir. Amps	Max. Overcurrent Protection Device
5	208-230	60	Three	15.0-13.6	33.8	45
	460	60	Three	6.8	15.3	20
	575	60	Three	5.0	11.3	15
7.5	208-230	60	Three	21.1-19.1	47.5	60
	460	60	Three	9.5	21.4	30
	575	60	Three	7.6	17.1	20
Standard Features: Totally Enclosed Premium Efficiency Motors Motor Starters, Non-fused Disconnect 24 VAC Transformer/Relay Package						
Filters: Twelve total, MERV 8, 2" pleated, 20" x 20" nominal size						
Weight: 2,400 lbs (unit), 2,700 lbs (shipping weight, on pallet)						
Shipping Dimensions: 116" L x 96" W x 90" H						

G5 Performance



*At AHRI 1060 standard conditions
(See certified data on page 67 for core components).

Base Type / Airflow Orientations



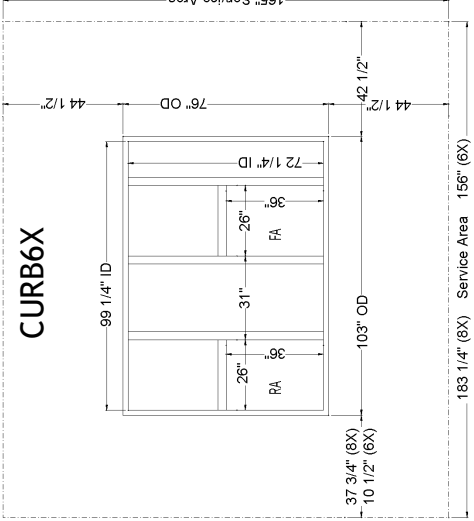
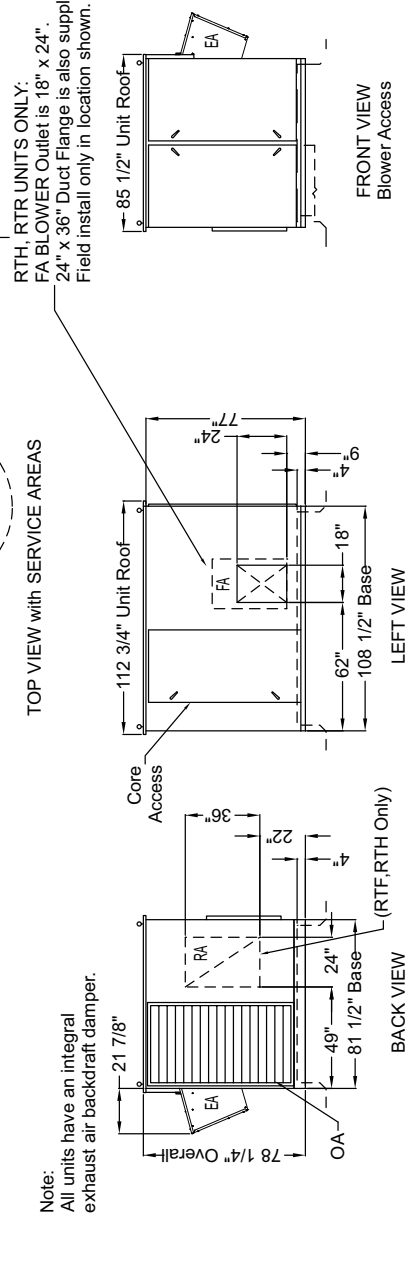
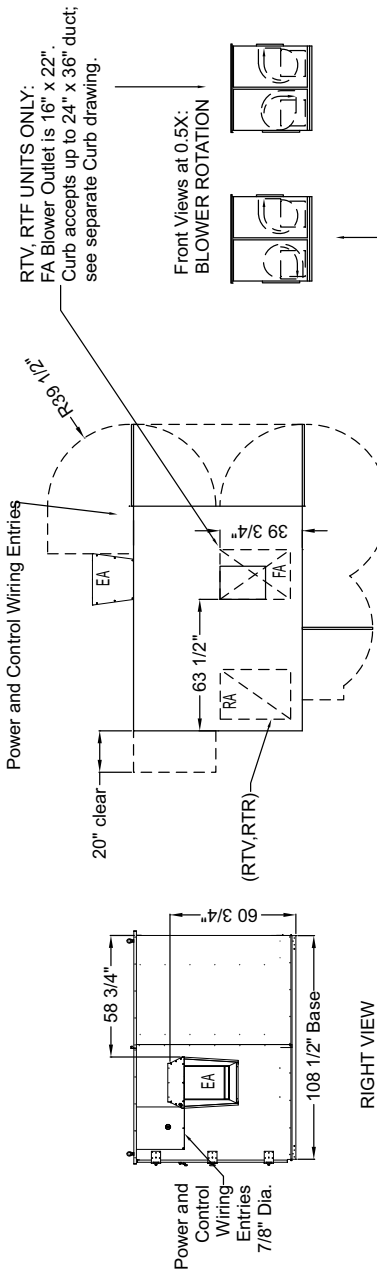
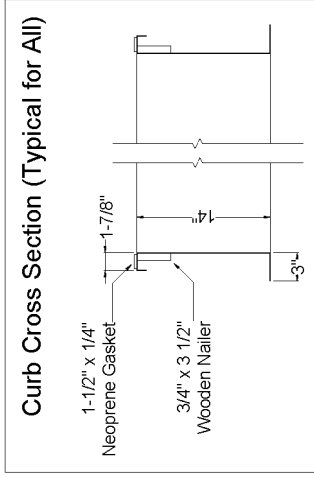
Airflow Performance

Motor HP	Blower RPM	Turns Open	External Static Pressure (in. w.g.)																	
			0.00		0.25		0.50		0.75		1.00		1.25		1.50		1.75		2.00	
			CFM	BHP	CFM	BHP	CFM	BHP	CFM	BHP	CFM	BHP	CFM	BHP	CFM	BHP	CFM	BHP	CFM	BHP
5	1460	4.5	5005	2.5	4800	2.5	4650	2.3	4475	2.1	4200	1.9	4000	1.7	3750	1.7	3400	1.5	3100	1.1
	1610	2	5550	4.0	5375	4.0	5250	3.9	5100	3.9	4900	3.7	4650	3.6	4500	3.4	4250	3.3	4000	3.1
	1725	0							5525	5.0	5475	5.0	5200	4.9	5050	4.8	4800	4.6	4600	4.5
7.5	1560	4.5	5275	2.7	5200	2.5	4900	2.3	4775	2.3	4550	2.1	4350	1.9	4125	1.9	3875	1.7	3575	1.5
	1740	2	5950	4.7	5825	4.7	5625	4.6	5490	4.6	5325	4.5	5125	4.3	4950	4.3	4750	4.2	4525	4.0
	1865	0	6500	6.5	6350	6.5	6225	6.4	6125	6.4	5910	6.3	5825	6.2	5625	6.1	5410	6.1	5300	6.0

Note: Brake Horse Power (BHP) is for one blower motor package only.
 Operation in this zone will likely exceed FLA limits.

HE6XRT UNIT DIMENSIONS

EA: Exhaust Air to outdoors
 OA: Outdoor Air Intake
 RA: Room Air to be exhausted
 FA: Fresh Air to inside



RTV, RTF UNITS ONLY:
 FA Blower Outlet is 16" x 22".
 Curb accepts up to 24" x 36" duct;
 see separate Curb drawing.

**Front Views at 0.5X:
 BLOWER ROTATION**

RTH, RTR UNITS ONLY:
 FA Blower Outlet is 18" x 24".
 24" x 36" Duct Flange is also supplied.
 Field install only in location shown.

Note:
 All units have an integral exhaust air backdraft damper.