

HE3XINV



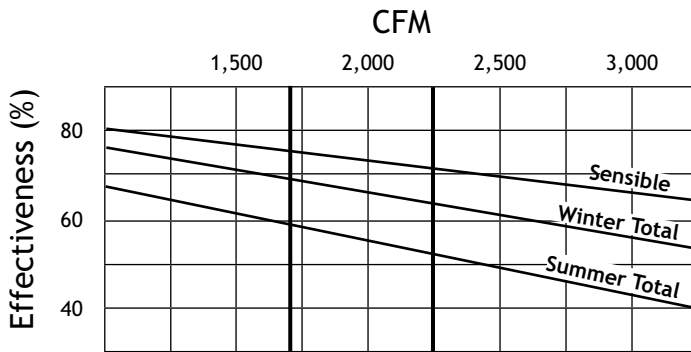
Indoor Unit



Specifications

| Ventilation Type: Static Plate, Heat and Humidity Transfer | | | | | | |
|--|-------------------------|----|--------|-----------|----------------|----------------|
| Typical Airflow Range: 750-3,300 CFM | | | | | | |
| AHRI 1060 Certified Core: Three L125-00 | | | | | | |
| Airflow Rating Points (for AHRI): 2,250 CFM and 1,690 CFM | | | | | | |
| Number Motors: Two | | | | | | |
| HP | Volts | HZ | Phase | FLA | Min. Cir. Amps | Max. Fuse Size |
| 2 | 208-230 | 60 | Single | 11.3-10.5 | 25.4 | 35 |
| | 208-230 | 60 | Three | 6.2-6.2 | 14.0 | 20 |
| | 460 | 60 | Three | 3.1 | 7.0 | 15 |
| | 575 | 60 | Three | 2.3 | 5.2 | 15 |
| 3 | 208-230 | 60 | Single | 13.7 | 30.8 | 45 |
| | 208-230 | 60 | Three | 9.2-8.6 | 20.7 | 30 |
| | 460 | 60 | Three | 4.3 | 9.7 | 15 |
| | 575 | 60 | Three | 3.2 | 7.2 | 15 |
| 5 | 208-230 | 60 | Three | 14.0-13.0 | 31.5 | 45 |
| | 460 | 60 | Three | 6.5 | 14.6 | 20 |
| | 575 | 60 | Three | 5.0 | 11.3 | 15 |
| | Control Voltage: 24 VAC | | | | | |
| Filters: Six total, MERV 8, 2" pleated, 20" x 20" nominal size | | | | | | |
| Weight: 640 lbs (unit), 675 lbs (shipping weight) | | | | | | |
| Shipping Dimensions: 45" W x 70" L x 70" H | | | | | | |

G5 Performance



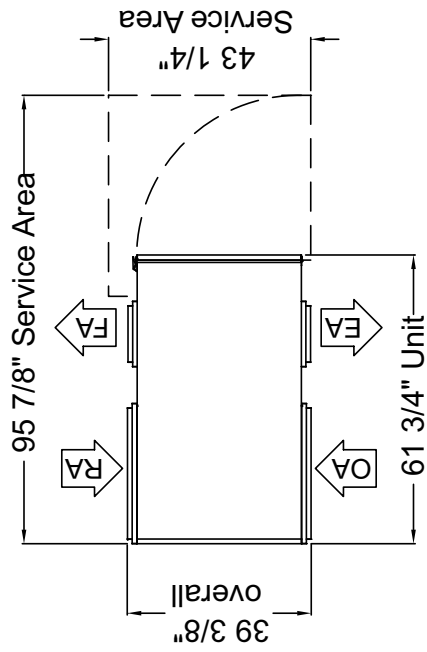
*At AHRI 1060 standard conditions
(See certified data on page 67 for core components.)

Airflow Performance

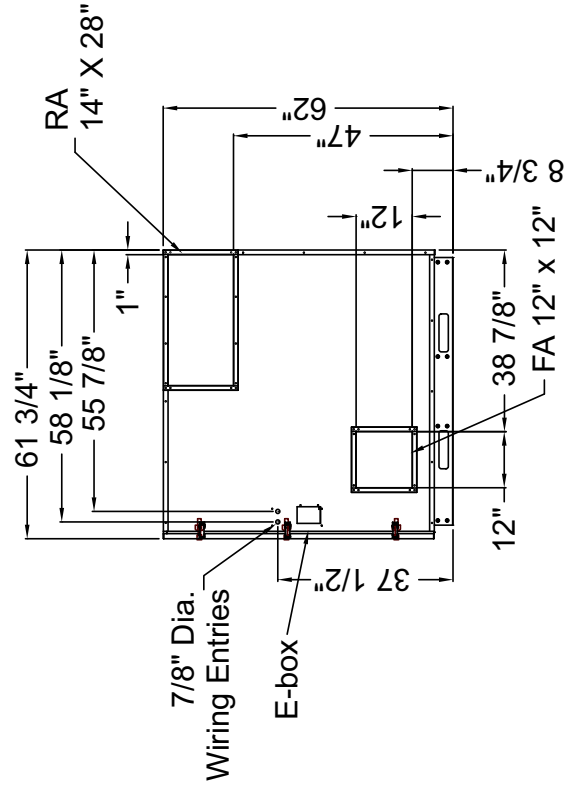
| Motor HP | Blower RPM Nominal | Turns Open | External Static Pressure (Inches Water Column) | | | | | | | | | | | | | |
|----------|--------------------|------------|--|-----|-------|-----|-------|-----|-------|-----|-------|-----|-------|-----|-------|-----|
| | | | 0.0 | | 0.25 | | 0.5 | | 0.75 | | 1.0 | | 1.25 | | 1.5 | |
| | | | CFM | BHP | CFM | BHP | CFM | BHP | CFM | BHP | CFM | BHP | CFM | BHP | CFM | BHP |
| 2 | 1,095 | 4 | 1,900 | 1.3 | 1,600 | 1.2 | 1,250 | 1.2 | 850 | 1.1 | - | - | - | - | - | - |
| | 1,220 | 2 | 2,200 | 1.5 | 1,960 | 1.4 | 1,610 | 1.3 | 1,240 | 1.3 | 860 | 1.2 | - | - | - | - |
| | 1,340 | 0 | 2,300 | 1.7 | 2,160 | 1.6 | 1,950 | 1.5 | 1,580 | 1.4 | 1,150 | 1.3 | 800 | 1.2 | - | - |
| 3 | 1,345 | 4.5 | 2,400 | 2.2 | 2,250 | 2.2 | 1,970 | 2.1 | 1,570 | 2.0 | 1,170 | 1.9 | 900 | 1.8 | - | - |
| | 1,535 | 2 | 2,720 | 2.7 | 2,450 | 2.5 | 2,250 | 2.4 | 1,950 | 2.3 | 1,650 | 2.2 | 1,200 | 2.0 | 875 | 1.9 |
| | 1,685 | 0 | - | - | 2,870 | 3.0 | 2,740 | 2.9 | 2,540 | 2.8 | 2,340 | 2.7 | 2,090 | 2.5 | 1,800 | 2.4 |
| 5 | 1,495 | 6.5 | 2,850 | 2.7 | 2,610 | 2.6 | 2,380 | 2.5 | 2,090 | 2.4 | 1,710 | 2.2 | 1,330 | 2.1 | 950 | 2.0 |
| | 1,675 | 3.5 | 3,230 | 3.7 | 3,090 | 3.5 | 2,850 | 3.3 | 2,610 | 3.1 | 2,380 | 2.9 | 2,090 | 2.7 | 1,810 | 2.5 |
| | 1,855 | 0 | 3,520 | 4.5 | 3,370 | 4.3 | 3,230 | 4.1 | 3,090 | 3.9 | 2,850 | 3.6 | 2,610 | 3.4 | 2,380 | 3.2 |

HE3XIN V UNIT DIMENSIONS

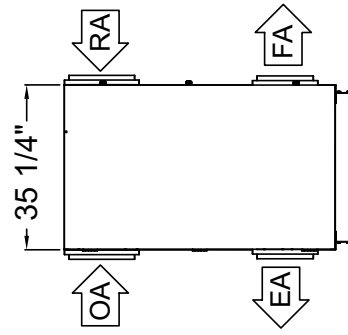
EA: Exhaust Air to outdoors
 OA: Outdoor Air Intake
 RA: Room Air to be exhausted
 FA: Fresh Air to inside



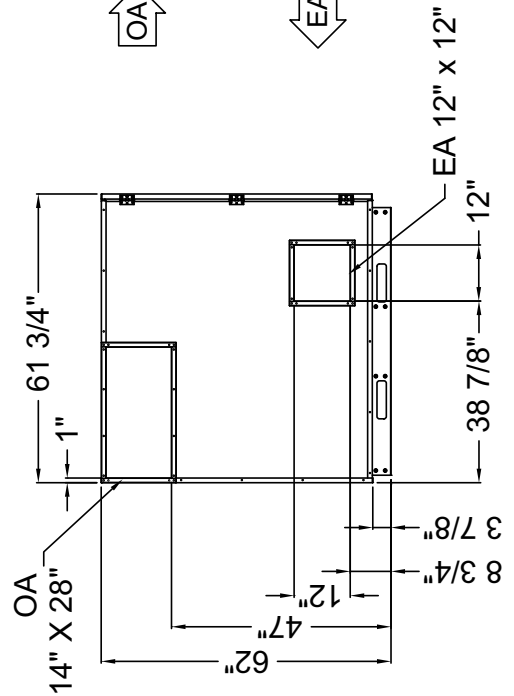
Top View



Right View



Front View



Left View