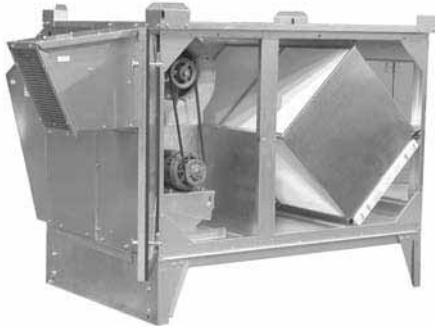


HE2XRTC



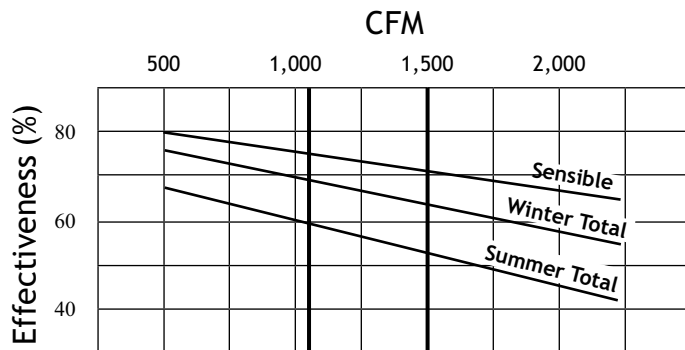
Outdoor Unit



Specifications

Ventilation Type: Static Plate, Heat and Humidity Transfer						
Typical Airflow Range: 500-1,700 CFM						
AHRI 1060 Certified Core: Two L125-00						
Airflow Rating Points (for AHRI): 1,500 CFM and 1,126 CFM						
Number Motors: Two belt drive blower/motor packages with adjustable sheaves						
HP	Volts	HZ	Phase	FLA (per motor)	Min. Cir. Amps	Max. Overcurrent Protection Device
2	208-230	60	Single	10.8-10.8	24.3	35
2	208-230	60	Three	6.0-5.8	13.5	15
	460	60	Three	2.9	6.5	15
	575	60	Three	2.2	5.0	15
Standard Features: Totally Enclosed Premium Efficiency Motors Motor Starters, Non-fused Disconnect 24 VAC Transformer/Relay Package						
Filters: Four total, MERV 8, 2" pleated, two 20" x 20" nominal size, and two 14" x 20" nominal size						
Weight: 566 lbs (unit), 725 lbs (shipping weight, on pallet)						
Shipping Dimensions: 92" L x 72" W x 48" H						

G5 Performance



*At AHRI 1060 standard conditions
(See certified data on page 67 for core components).

Airflow Performance

	Blower RPM Nominal	Turns Open	Unit Tied Into Return of Air Handler						Unit Tied Into Separate Ducts									
			Static Pressure in Adjacent Air Handler (Inches Water Column)								External Static Pressure (Inches Water Column)							
			-0.75		-0.5		-0.25		0.0		+0.25		+0.5		+0.75			
			CFM	BHP	CFM	BHP	CFM	BHP	CFM	BHP	CFM	BHP	CFM	BHP	CFM	BHP		
Exhaust Air	1450	0	1664	1.6	1785	1.9							1785	1.9	1664	1.6		
	1370	1	1400	1.4	1570	1.6	1740	1.8	1900	1.9	1740	1.8	1570	1.6	1400	1.4		
	1290	2	1125	1.3	1350	1.4	1575	1.5	1727	1.6	1575	1.5	1350	1.4	1125	1.3		
	1210	3	945	1.0	1165	1.1	1385	1.3	1560	1.4	1385	1.3	1165	1.1	945	1.0		
	1130	4	721	0.7	978	0.9	1235	1.1	1365	1.1	1235	1.1	978	0.9	721	0.7		
	1050	5	560	0.7	810	0.8	1060	0.9	1200	1.0	1060	0.9	810	0.8	560	0.7		
	945	6	635	0.6	765	0.6	895	0.6	1025	0.7	895	0.6	765	0.6	635	0.6		
Fresh Air	1705	0									1600	2.0	1480	1.9	1360	1.7		
	1610	1					1635	2.0	1555	1.9	1490	1.8	1375	1.7	1260	1.5		
	1515	2	1742	2.0	1631	1.9	1520	1.7	1430	1.6	1355	1.6	1230	1.4	1105	1.3		
	1420	3	1620	1.7	1515	1.6	1410	1.5	1300	1.4	1230	1.4	1115	1.2	1000	1.1		
	1325	4	1465	1.5	1370	1.4	1275	1.3	1190	1.3	1120	1.2	995	1.1	870	0.9		
	1230	5	1325	1.3	1245	1.2	1165	1.1	1080	1.0	985	0.9	850	0.8	715	0.6		
	1090	6	1170	1.0	1085	0.9	1000	0.8	905	0.8	824	0.7	743	0.6	662	0.6		

Note: Brake Horse Power (BHP) is for one blower motor package only.

Operation in this zone will likely exceed FLA limits.

HE2XRTC UNIT DIMENSIONS

EA: Exhaust Air to outdoors
 OA: Outdoor Air Intake
 RA: Room Air to be exhausted
 FA: Fresh Air to inside

