

# EV450RT



## Outdoor Unit



## Specifications

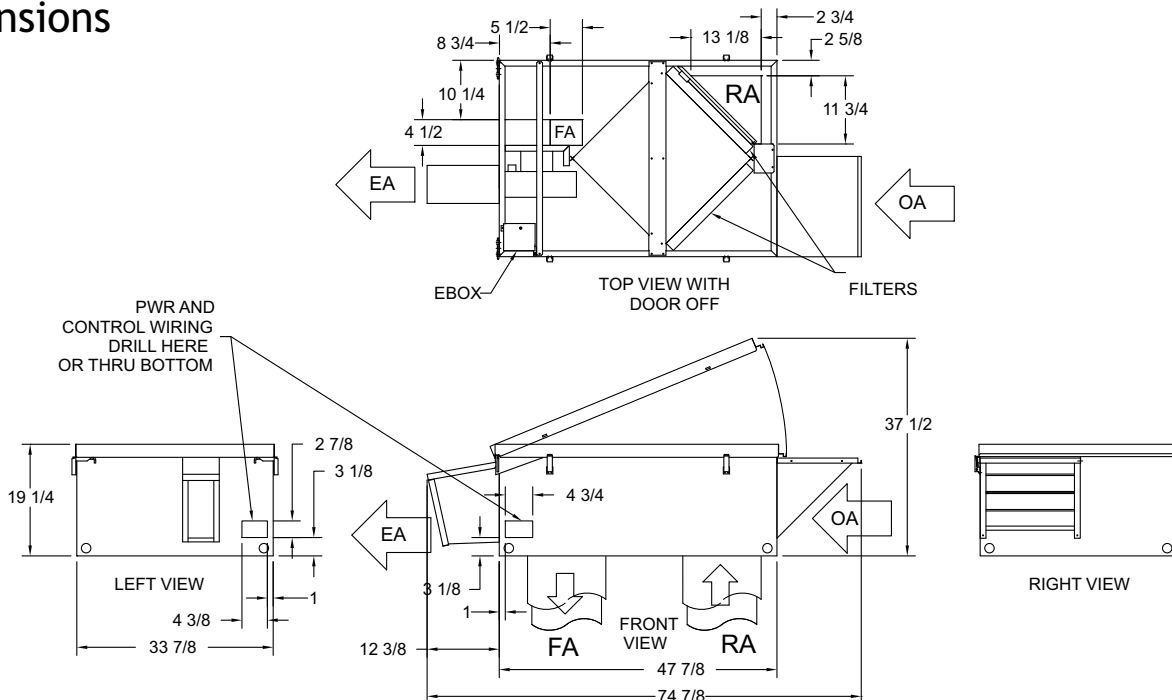
Ventilation Type: Static Plate, Heat and Humidity Transfer			
Typical Airflow Range: 240-550 CFM			
AHRI 1060 Certified Core: One L85			
Airflow Rating Points (for AHRI): 450 CFM and 338 CFM			
Motors: One, 0.6 hp (Single Phase) One, 0.5 hp (Three Phase)			
V	HZ	Phase	FLA
115	60	Single	7.0
208-230	60	Single	3.5
277	60	Single	2.4
208-230	60	Three	1.7-1.5
460	60	Three	0.8
Control Voltage: 24 VAC			
Filters: Two total, MERV 8, 2" pleated, 14" x 20" nominal size			
Weight: 185 lbs (unit), 235 lbs (shipping weight)			
Shipping Dimensions: 48" W x 90" L x 25" H (on pallet)			

## G5 Performance

Airflow CFM	ESP in H <sub>2</sub> O	Watts 1P	Watts 3P	Temp EFF%	Total EFF% Winter/Summer*
240	1.00	425	243	80	75/66
338	0.85	474	313	77	71/61
380	0.75	496	345	75	69/59
450	0.50	534	412	73	66/56
500	0.25	563	461	71	64/54
550	0.00	593	516	70	62/52
600	-0.25	623	572	68	60/50

\*At AHRI 1060 standard conditions  
(See certified data on page 67 for core components.)

## Dimensions



# EV450RT APPLICATION OPTIONS

## RTV

EV450RT WITH STANDARD ROOF CURB (45CURB)

TOP VIEW  
STANDARD ROOF CURB (14" HIGH)

Standard Roof Curb Shown (available option). Curbs for sloped roofs or metal roofing are available on a custom basis from RenewAire or from local curb fabricators.

Curb Cross Section (Typical for All)

---

## RTR/RTF

EV450RT WITH ADAPTER (45RTRF) AND CURB (45CURB) IN RTR CONFIGURATION

EV450RT WITH ADAPTER (45RTRF) AND CURB (45CURB) IN RTF CONFIGURATION

For horizontal connection of either the Fresh Air duct or the Return Air duct, stack the optional RTF/RTR Adapter on the Standard Roof Curb. Duct openings to be field cut into adapter. Opening location and size is flexible.

---

## RTC/RTH

EV450RT WITH ADAPTER (45RTCH)

The RTH/RTC Adapter allows horizontal connection of both the Fresh Air and the Return Air ducts. It is also possible to connect the adapter directly to the return plenum of most Rooftop Units (openings must be cut into RTU). Duct openings to be field cut into adapter. Opening location and size is flexible.

EA: Exhaust Air to outdoors  
 OA: Outdoor Air intake  
 RA: Room Air to be exhausted  
 FA: Fresh Air to inside

Think Greener. Breathe Better.

www.RenewAire.com

37